

Sureclose® Flush Mount

CODE*	MODEL	DESCRIPTION	MOUNTING
75001213	SM AT90 S	Non Self-Closing Hinge	Aluminum Screw-on
75057213M	57 AT90 S	Hydraulic Hinge Closer	Aluminum Screw-on
75057223M	57SF AT90 S**	Safety Hydraulic Hinge Closer	Aluminum Screw-on
75108213M	108 AT90 S	Hinge Closer w/ Final Snap Action	Aluminum Screw-on
75108223M	108SF AT90 S**	Safety Hinge Closer w/ Final Snap Action	Aluminum Screw-on
75001214	SM AT90 W	Non Self-Closing Hinge	Steel Weld-on
75057214M	57 AT90 W	Hydraulic Hinge Closer	Steel Weld-on
75057224M	57SF AT90 W**	Safety Hydraulic Hinge Closer	Steel Weld-on
75108214M	108 AT90 W	Hinge Closer w/ Final Snap Action	Steel Weld-on
75108224M	108SF AT90 W**	Safety Hinge Closer w/ Final Snap Action	Steel Weld-on



CAUTION: Based on max. gate size 72"H x 40"W (1800x1000mm). For gates with greater HxW, or if weather conditions such as wind play a significant role, use hinge combinations with higher self-closing weight ratings. **CAUTION: A gate-stop MUST be installed when using SF models.** Gate MUST NOT be allowed to open past 90°. Doing so voids warranty.

HINGE COMBINATIONS	MAX SELF-CLOSING GATE WEIGHT
57 + SM	90 lb (40kg)
57 + 57	180 lb (80kg)
108 + SM	180 lb (80kg)
108 + 108	260 lb (120kg)
ACCESS CONTROL	WEIGHT CAPACITY
SM + SM	1,500 lb (680kg)

* **Warranty conditions** vary according to gate or door application and usage. See full Warranty details and limitations on D&D Technologies' website. Gate mounting brackets included with hinge. Post-mounting brackets sold separately. Fasteners not included.

**Use only "SF" model (safety) closers on pool/safety gates. Hinges must be at least 36" (900mm) apart so they cannot be used as footholds by toddlers.

Gate Function



Hold-open
Not for safety gates



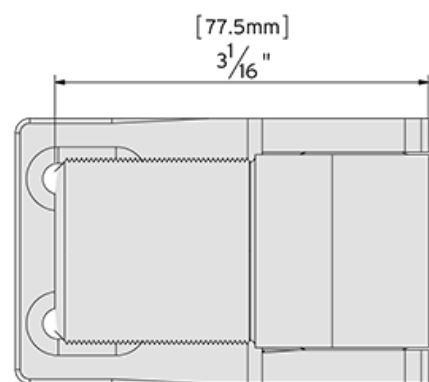
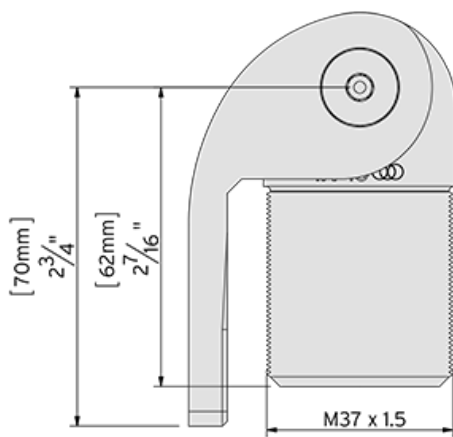
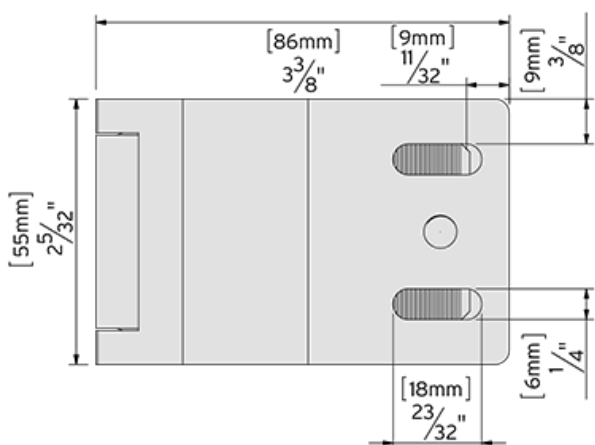
Self-closing
Speed adjustable



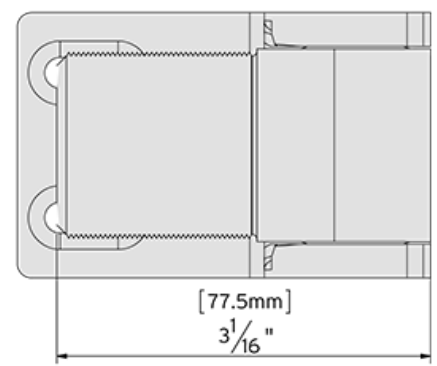
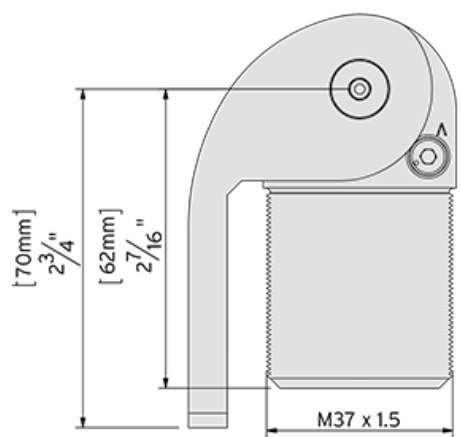
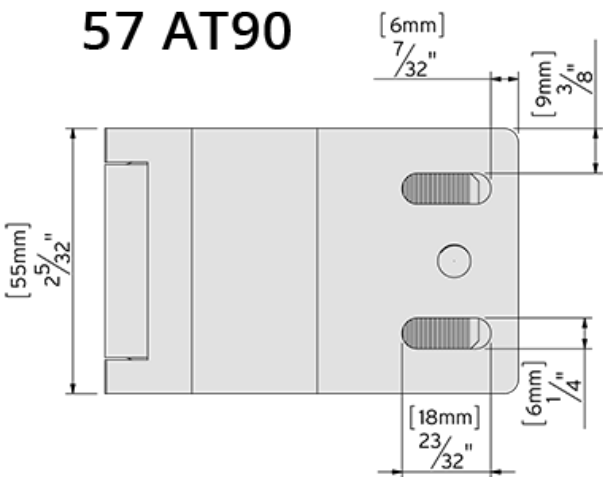
Final snap-close action
For electric/coded locks

<p>Flush Mount Brackets</p> <table border="1"> <thead> <tr> <th>Models</th> <th>Bracket Material</th> </tr> </thead> <tbody> <tr> <td>75108214M</td> <td>Steel</td> </tr> <tr> <td>75108213M</td> <td>Aluminum</td> </tr> </tbody> </table> <p>SELF-CLOSING - NON SAFETY Not suitable for child/pool safety</p>	Models	Bracket Material	75108214M	Steel	75108213M	Aluminum	<p>Flush Mount Brackets</p> <table border="1"> <thead> <tr> <th>Models</th> <th>Bracket Material</th> </tr> </thead> <tbody> <tr> <td>75108224M</td> <td>Steel</td> </tr> <tr> <td>75108223M</td> <td>Aluminum</td> </tr> </tbody> </table> <p>SELF-CLOSING - SAFETY (SF Model) Suitable for child/pool safety* DO NOT PROP GATE OPEN</p>	Models	Bracket Material	75108224M	Steel	75108223M	Aluminum
Models	Bracket Material												
75108214M	Steel												
75108213M	Aluminum												
Models	Bracket Material												
75108224M	Steel												
75108223M	Aluminum												
<p>Flush Mount Brackets</p> <table border="1"> <thead> <tr> <th>Models</th> <th>Bracket Material</th> </tr> </thead> <tbody> <tr> <td>75057214M</td> <td>Steel</td> </tr> <tr> <td>75057213M</td> <td>Aluminum</td> </tr> </tbody> </table> <p>SELF-CLOSING - NON SAFETY Not suitable for child/pool safety</p>	Models	Bracket Material	75057214M	Steel	75057213M	Aluminum	<p>Flush Mount Brackets</p> <table border="1"> <thead> <tr> <th>Models</th> <th>Bracket Material</th> </tr> </thead> <tbody> <tr> <td>75057224M</td> <td>Steel</td> </tr> <tr> <td>75057223M</td> <td>Aluminum</td> </tr> </tbody> </table> <p>SELF-CLOSING - SAFETY (SF Model) Suitable for child/pool safety* DO NOT PROP GATE OPEN</p>	Models	Bracket Material	75057224M	Steel	75057223M	Aluminum
Models	Bracket Material												
75057214M	Steel												
75057213M	Aluminum												
Models	Bracket Material												
75057224M	Steel												
75057223M	Aluminum												

SM AT90



57 AT90



108 AT90

